



PRODUCT INFORMATION

SILENCIO THERMO®

Sound-absorbing board for waterborne underfloor heating

Silencio Thermo is an impact and airborne sound reducing board grooved to accommodate pipework for waterborne underfloor heating.

Silencio Thermo is easy to lay and will provide increased comfort using lower water temperatures than concrete screeded solutions.

Energy-efficient sound impact board prepared for waterborne underfloor heating

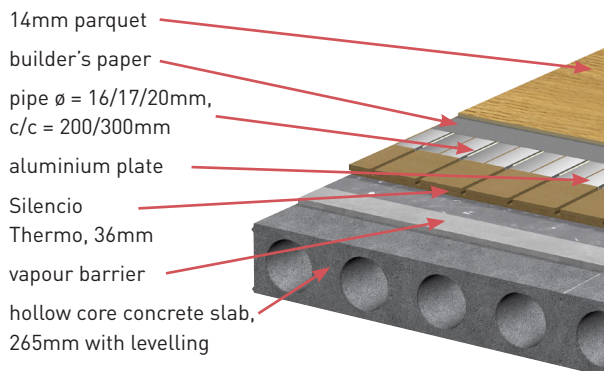


Flisa Trykkeri AS

Invisible comfort!

With Silencio Thermo you have an invisible heating system, providing a comfortable feel across whole rooms and floors. Lower heating costs can be achieved due to the fast release of heat compared to alternative options.

Pict 1



Technical data and sound measurements with various constructions

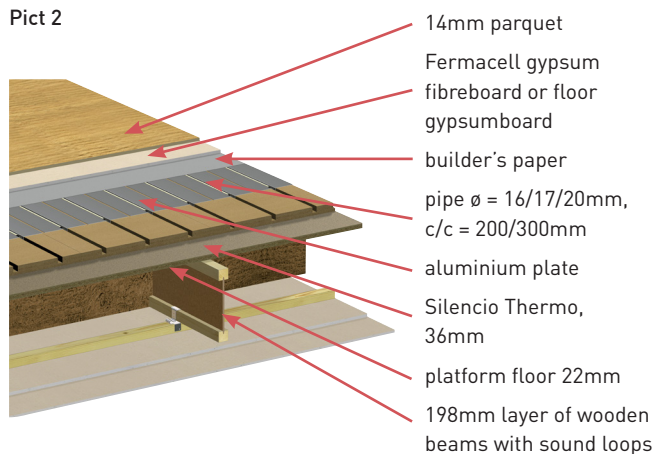
The product consists of three elements: Straight, Turn and Distribution. Silencio Thermo is supplied as standard for 16, 17 and 20mm pipes at various centre distances.

Density	240 – 280 kg/m ³
Thermal conductivity	λ -0.045 W/mK
Format	600 x 1800 x 36mm + 24mm 300 x 1800 x 36mm + 24mm

36mm Silencio Thermo corresponds to:

- 26mm insulation in class 33
- 29mm insulation in class 36
- 31mm insulation in class 39

Pict 2



Typical Norwegian Build up

	Pict. 1	Pict. 2
Impactsound Ln, w	50dB	51dB
Airborne sound Rw	58dB	57dB

Tested/calculated by the Norwegian Building Research Institute



ISO 9001 CERTIFISERT BEDRIFT



www.huntonfiber.co.uk – teknisk@hunton.no